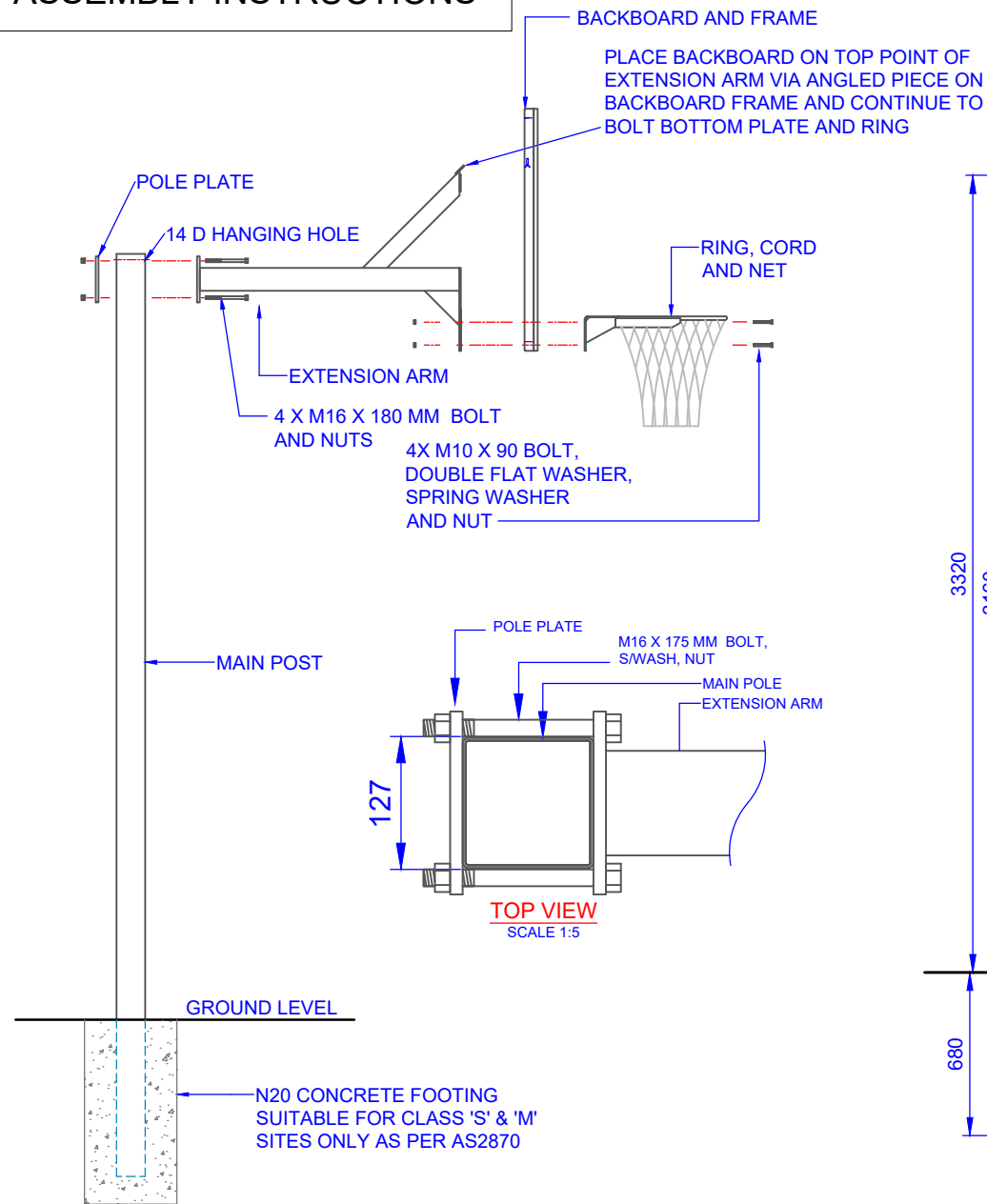
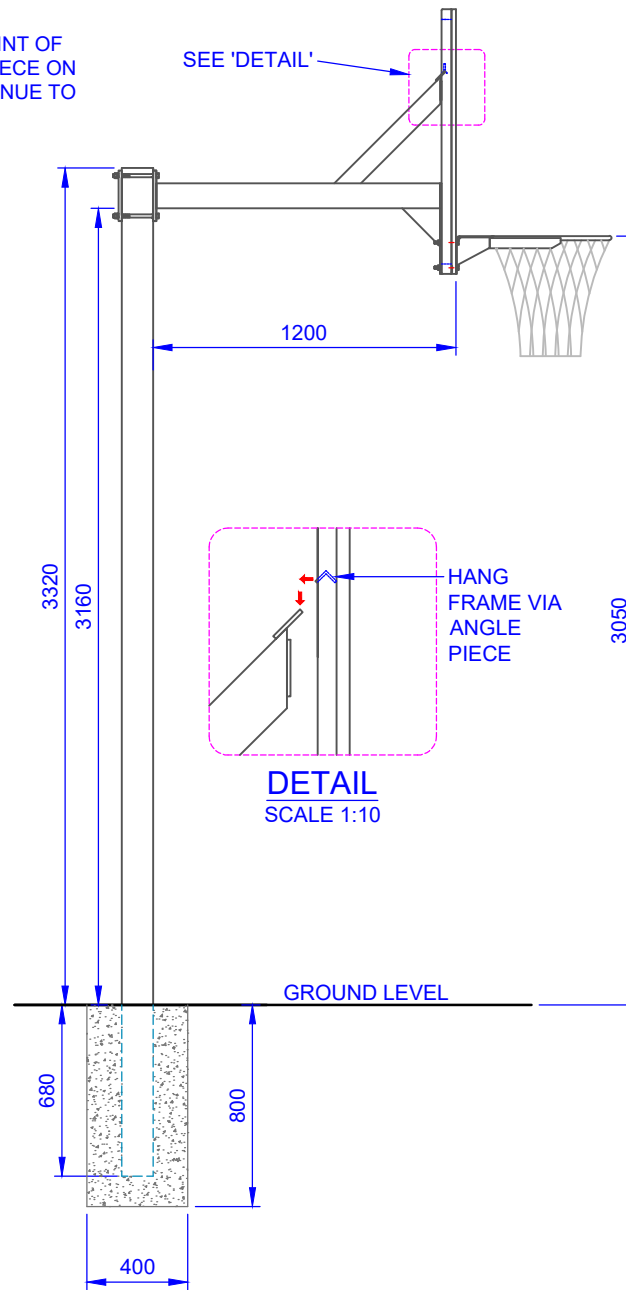


ASSEMBLY INSTRUCTIONS



FORCE 10
BASKETBALL TOWER
SCALE 1:30



TOWER POSITION
SCALE 1:30

COMPONENTS

| QTY | ITEM |
|-----|---|
| 1 | MAIN POST |
| 1 | EXTENSION ARM |
| 1 | BACKBOARD AND FRAME |
| 1 | RING, CORD AND NET |
| 4 | M10 X 90 MM BOLT, DOUBLE FLAT WASHER, SPRING WASHER & NUT |
| 4 | M16 X 180 MM H.T. BOLT, S/WASH, NUT |
| 1 | POLE PLATE 175 X 200 MM |
| - | - |
| - | - |
| - | - |
| - | - |
| - | - |
| - | - |

TITLE:

FORCE 10 BASKETBALL TOWER

DRAWING NUMBER:

FORCE 10 ASSEMBLY

WEIGHT:



Oz Ring Pty Ltd
Trading as:
Play Hard Sports Equipment
ABN 79 066 094 559
24 Ern Harley Drive
Burleigh Heads Qld 4220
Phone: (07) 5593 4494
Fax: (07) 5593 4338
Website: www.playhardsports.com.au
Email: email@playhardsports.com.au