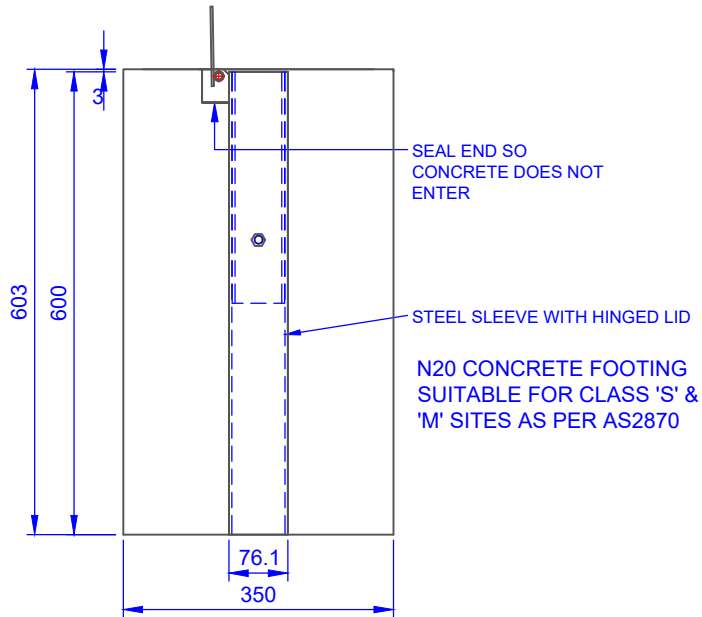
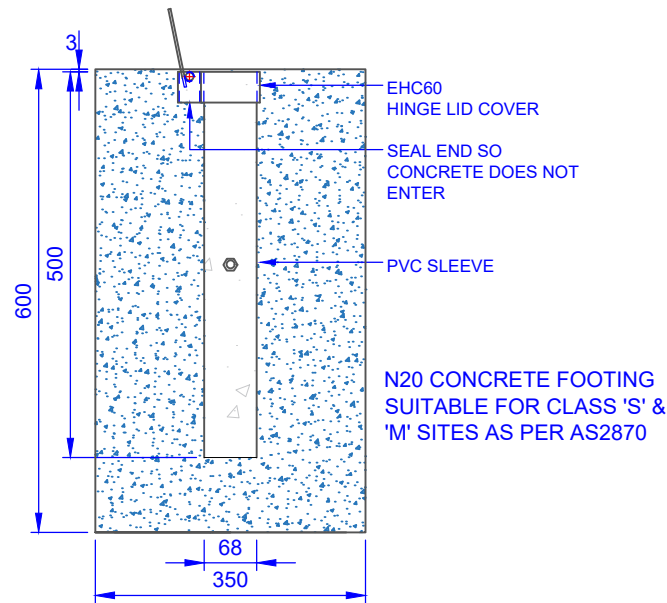


NOTE:
THE SLEEVE SHOULD BE SET 3MM BELOW
SURFACE LEVEL TO ALLOW THE LID TO SIT
FLUSH WITH THE SURFACE.



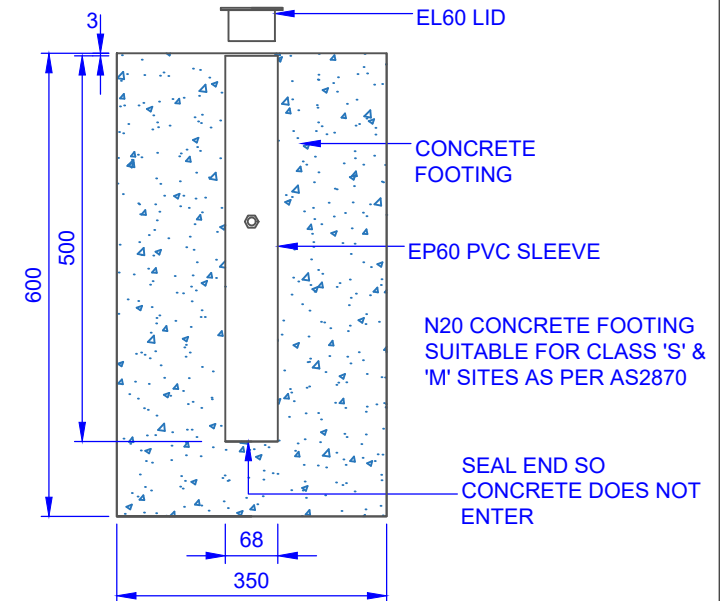
SLEEVE OPTION:
EHC60p PVC SLEEVE WITH HINGED CAP

NOTE:
THE SLEEVE SHOULD BE SET 3MM BELOW
SURFACE LEVEL TO ALLOW THE LID TO SIT
FLUSH WITH THE SURFACE.



SLEEVE OPTION:
EHC60s STEEL SLEEVE WITH HINGED CAP

NOTE:
THE SLEEVE SHOULD BE SET 3MM BELOW
SURFACE LEVEL TO ALLOW THE LID TO SIT
FLUSH WITH THE SURFACE.



SLEEVE OPTION:
EP60 PVC SLEEVE WITH EL60 LOOSE CAP

TITLE: NS60c NETBALL POLE	
DRAWING NUMBER: NS60c FOOTING DETAILS ASSEMBLY	
WEIGHT: -	CUBIC MEASURE -

QTY	ITEM DESCRIPTION
1	MAIN POST
1	NR60 NETBALL RING
1	NETBALL NET, CORD & INSTRUCTIONS
2	M8 X 30 MM S/S SOCKET HEADED COUNTERSINK CAP SCREWS
OPTIONS	
1	EP60 SLEEVE AND EL60 CAP
1	EHC60p PVC SLEEVE WITH HINGED CAP
1	EHC60s STEEL SLEEVE WITH HINGED CAP



Oz Ring Pty Ltd
Trading as:
Play Hard Sports Equipment
ABN 79 066 094 559
24 Ern Harley Drive
Burleigh Heads Qld 4220
Phone: (07) 5593 4494
Fax: (07) 5593 4338
Website: www.playhardsports.com.au
Email: email@playhardsports.com.au