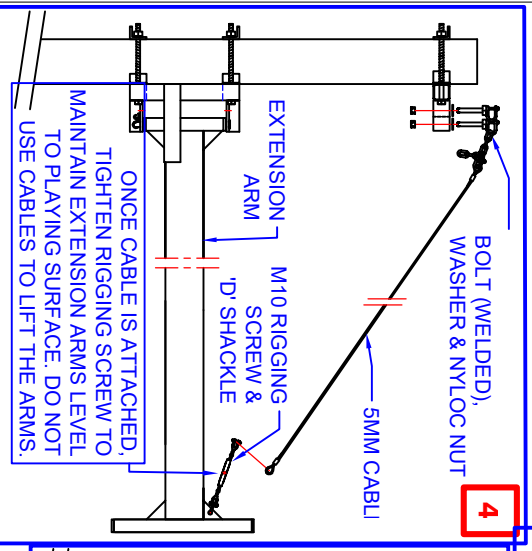
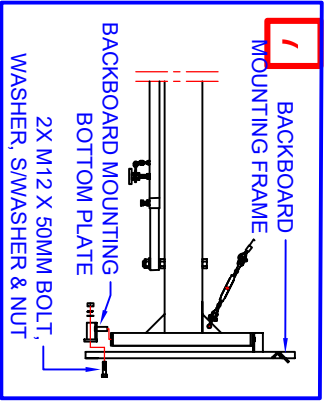


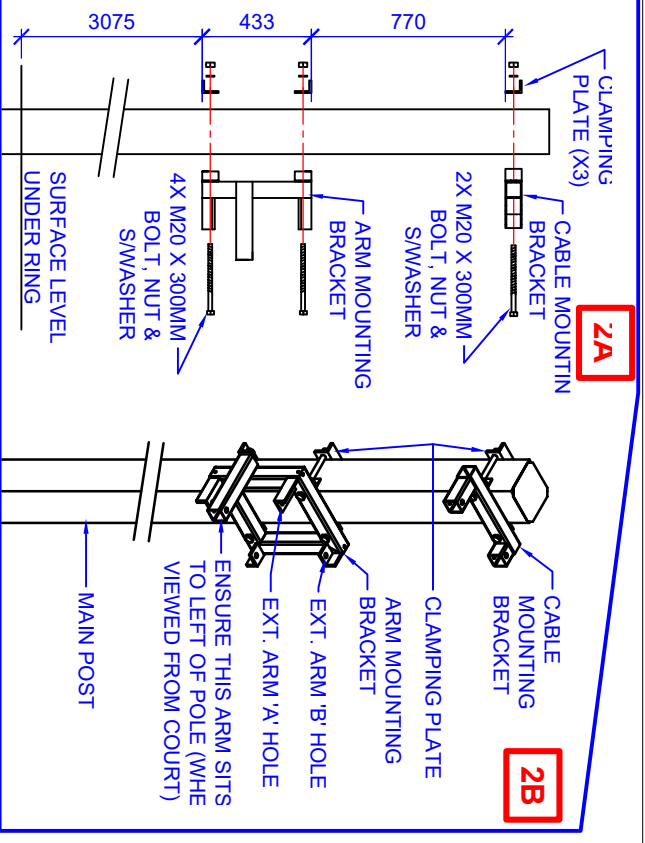
**1**



**4**

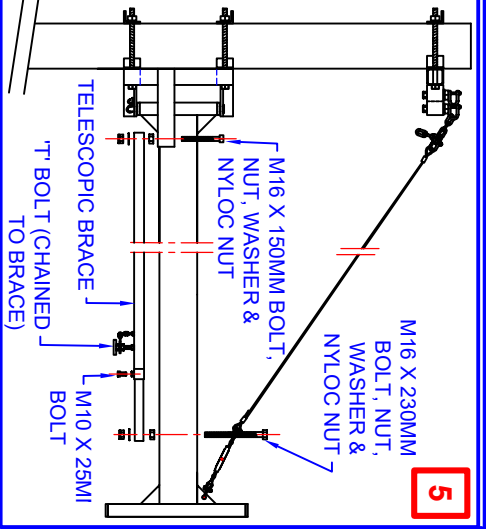


**7**

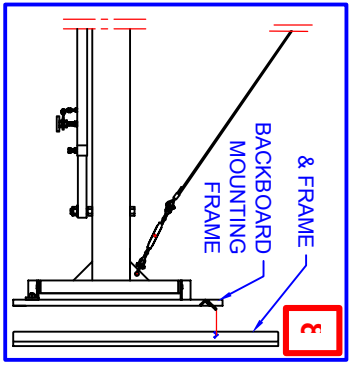


**2A**

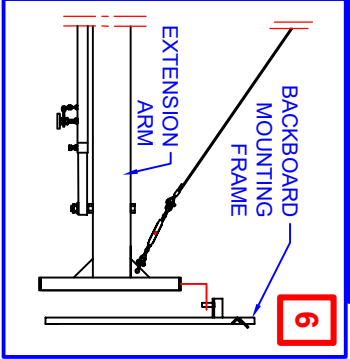
**2B**



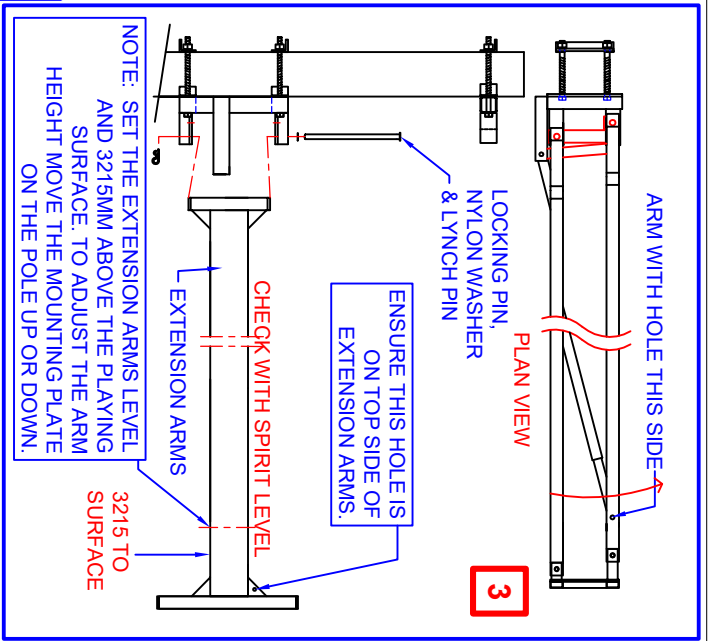
**5**



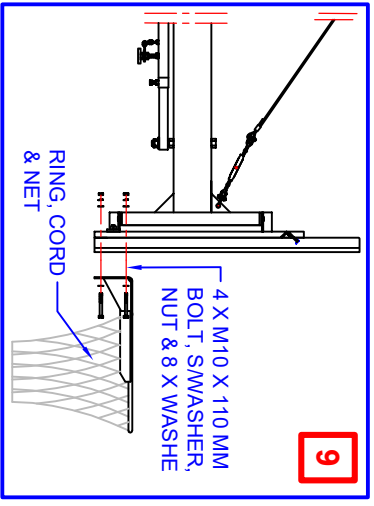
**3**



**6**



**3**



**9**

**TITLE:**  
RAPTOR BASKETBALL TOWER  
ASSEMBLY INSTRUCTIONS

**DRAWING NUMBER:**  
RAPTOR ASSEMBLY 2 OF 2

**DATE:** 11-3-2019 **DRAWING NUMBER:**



**Oz Ring Pty Ltd**

Trading as:

**Play Hard Sports Equipment**

ABN 79 066 094 559

24 Ern Harley Drive

Burleigh Heads Qld 4220

Phone: (07) 5593 4494

Fax: (07) 5593 4338

Website: [www.playhardports.com.au](http://www.playhardports.com.au)

Email: [email@playhardports.com.au](mailto:email@playhardports.com.au)