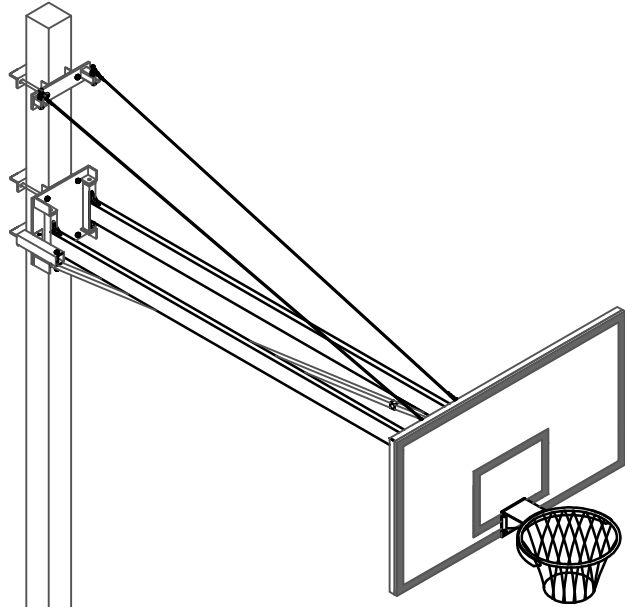
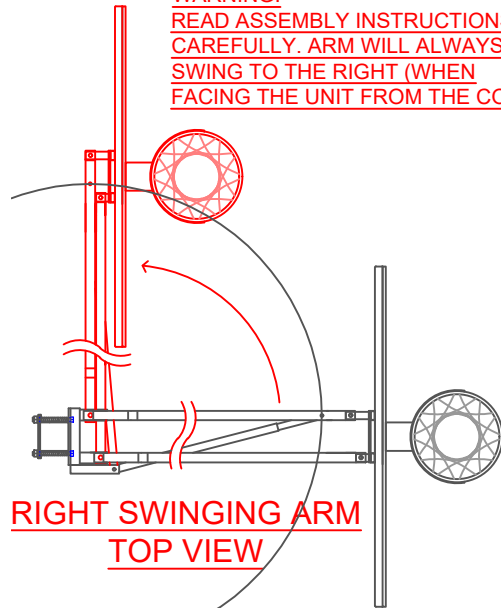


# ASSEMBLY INSTRUCTIONS



**ISOMETRIC VIEW**

**WARNING:**  
 READ ASSEMBLY INSTRUCTIONS  
 CAREFULLY. ARM WILL ALWAYS  
 SWING TO THE RIGHT (WHEN  
 FACING THE UNIT FROM THE COURT)

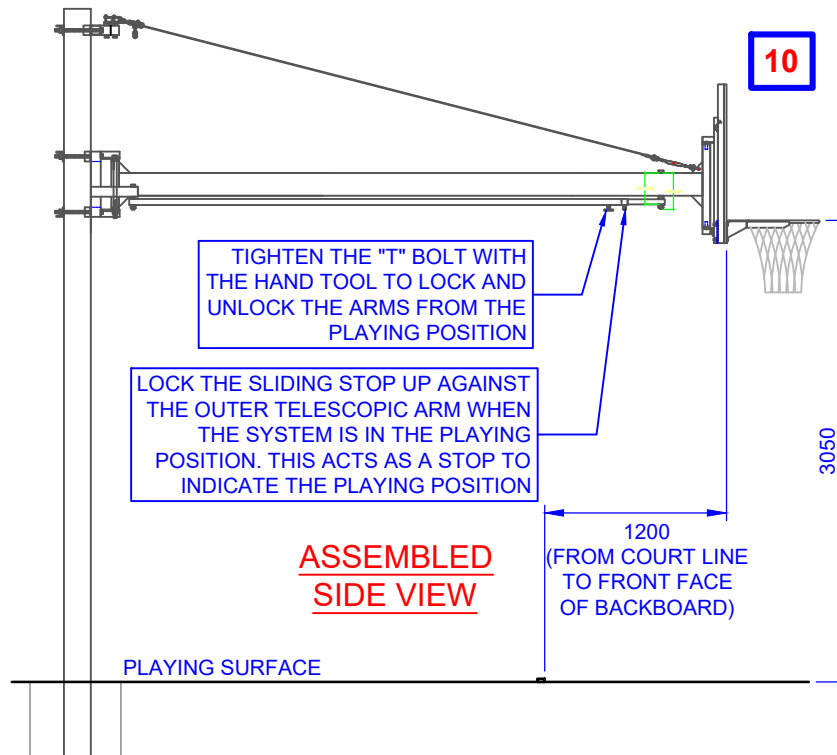


**RIGHT SWINGING ARM  
 TOP VIEW**

QTY	ITEM DESCRIPTION
1	178 MM SQ MAIN POST (ALUMINIUM)
1	ARM MOUNTING BRACKET
1	CABLE MOUNTING BRACKET
3	CLAMPING PLATES
1	EXTENSION ARM 'A'
1	EXTENSION ARM 'B'
2	M10 D'SHACKLE BOLT (WELDED), WASHER & NYLOC NUT
1	BACKBOARD MOUNTING BOTTOM PLATE
1	BACKBOARD MOUNTING FRAME
1	BACKBOARD & FRAME
1	R11b BASKETBALL RING
1	BASKETBALL NET, PE CORD, INSTRUCTIONS
1	TELESCOPIC BRACE (3 PARTS) WITH 'T' BOLT ON CHAIN
1	RAPTOR TURNING TOOL
2	M10 S/S RIGGING SCREW & 'D' SHACKLE
2	5 MM CABLE, EYE TWO ENDS
<b>BOLT KIT</b>	
2	M20 X 400 MM (H.T.) GAL HEX BOLT, FLAT WASHER & NYLOC NUT
6	M20 X 240 MM (H.T.) GAL HEX BOLT, SPRING WASHER & NUT
1	M16 X 240 MM GAL HEX BOLT, NUT, WASHER & NYLOC NUT
1	M16 X 150 MM GAL HEX BOLT, NUT, WASHER & NYLOC NUT
2	M12 X 50 MM GAL HEX BOLT, WASHER, S/WASHER & NUT
4	M10 X 110 MM HEX BOLT, S/WASHER, NUT & 8 X WASHERS
4	M10 'D' SHACKLE (FOR CABLES)

# INSTRUCTION OVERVIEW

STEP	INSTRUCTION
1	CONCRETE MAIN POST INTO FOOTING AS PER DIMENSIONS PROVIDED
2A & 2B	BOLT ARM MOUNTING PLATE AND CABLE MOUNTING PLATE TO MAIN POST USING CLAMPING PLATES AND BOLTS PROVIDED. CONFIRM HEIGHTS.
3	ATTACH BOTH EXTENSION ARMS TO MOUNTING PLATE USING M20 X 400 MM 8.8 H.D.G HEX BOLT AND NYLOC NUT
4	ATTACH 'D' SHACKLE BOLTS, CABLES AND RIGGING SCREWS AS SHOWN. LEVEL EXTENSION ARMS WITH PLAYING COURT.
5	ATTACH TELESCOPIC BRACE TO EXTENSION ARM AND ARM MOUNTING BRACKET (SEE NEXT PAGE ON HOW TO LOCK TOWER IN PLACE).
6	SIT THE BACKBOARD MOUNTING FRAME ON THE END OF THE EXTENSION ARMS.
7	LOCK THE BACKBOARD MOUNTING FRAME TO THE EXTENSION ARM USING THE BACKBOARD MOUNTING BOTTOM PLATE AND BOLTS PROVIDED.
8	REST THE BACKBOARD AND FRAME ON THE ANGLED PIECE PROTRUDING FROM THE BACKBOARD MOUNTING FRAME
9	BOLT THE RING ON USING THE BOLTS PROVIDED. THESE BOLTS WILL ALSO SECURE THE BACKBOARD AND FRAME TO THE UNIT.
10	CHECK ALL MEASUREMENTS ARE CORRECT AND THE TELESCOPIC BRACE HAS BEEN SET UP TO LOCK IN THE CORRECT POSITION (SEE SIDE VIEW).



**ASSEMBLED  
 SIDE VIEW**

TITLE:  
**RAPTOR BASKETBALL TOWER  
 ASSEMBLY INSTRUCTIONS**

DRAWING NUMBER:  
**RAPTOR ASSEMBLY 1 OF 2**

DRAWING NUMBER: DRAWING NUMBER:



**Oz Ring Pty Ltd**  
 Trading as:  
**Play Hard Sports Equipment**  
 ABN 79 066 094 559  
 24 Ern Harley Drive  
 Burleigh Heads Qld 4220  
 Phone: (07) 5593 4494  
 Fax: (07) 5593 4338  
 Website: [www.playhardsports.com.au](http://www.playhardsports.com.au)  
 Email: [email@playhardsports.com.au](mailto:email@playhardsports.com.au)