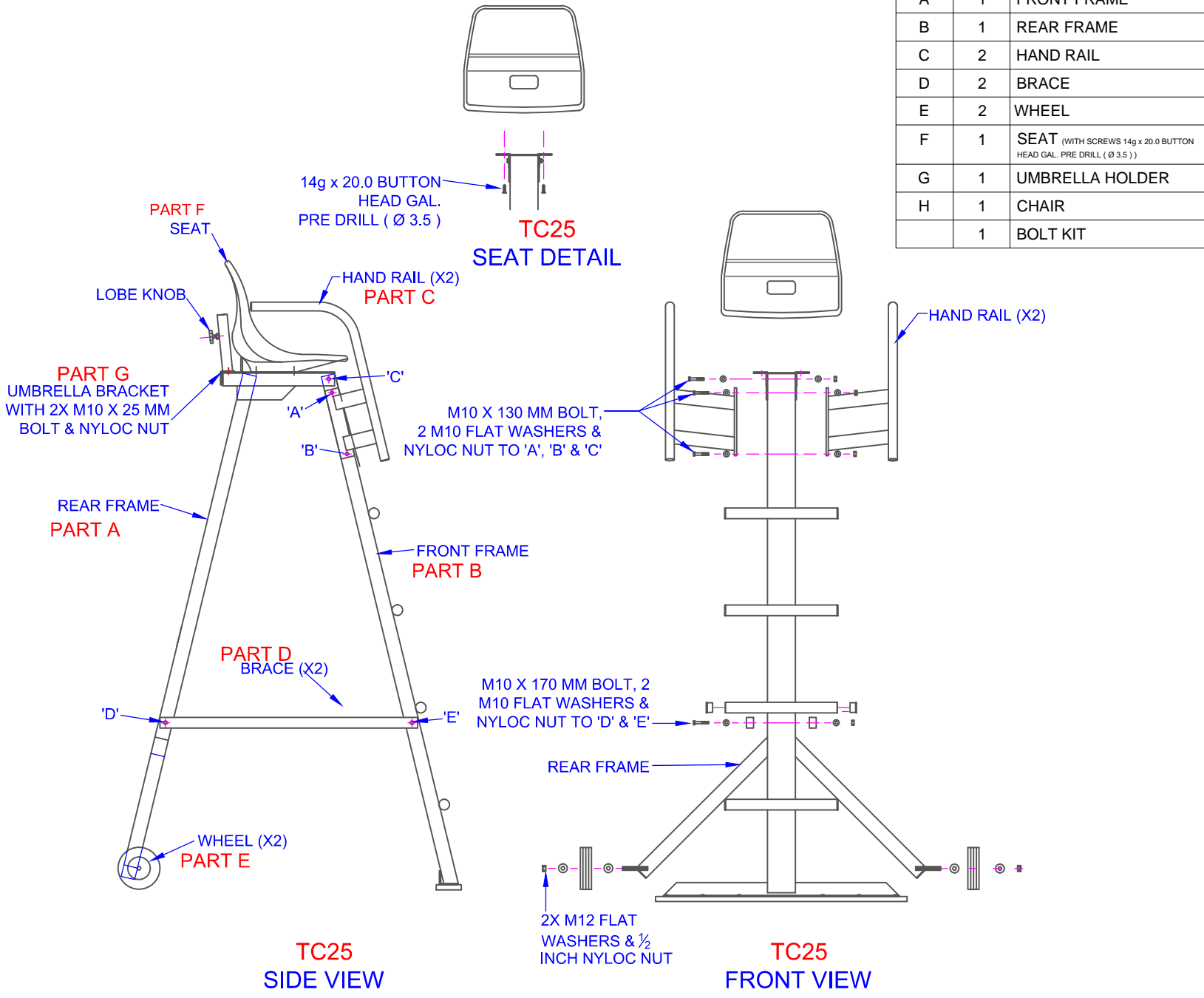


ASSEMBLY INSTRUCTIONS

COMPONENTS

PART	QTY	ITEM
A	1	FRONT FRAME
B	1	REAR FRAME
C	2	HAND RAIL
D	2	BRACE
E	2	WHEEL
F	1	SEAT (WITH SCREWS 14g x 20.0 BUTTON HEAD GAL. PRE DRILL (Ø 3.5))
G	1	UMBRELLA HOLDER
H	1	CHAIR
	1	BOLT KIT

QTY	BOLT KIT
2	M10 X 25 MM GAL HEXHEAD BOLT
3	M10 X 130 MM GAL HEXHEAD BOLT
2	M10 X 170 MM GAL HEXHEAD BOLT
10	M10 FLAT WASHER
7	M10 NYLOC NUT
4	M12 FLAT WASHER
2	M12 NYLOC NUT
1	M10 LOBE KNOB



TITLE: TC25 TENNIS UMPIRE CHAIR ASSEMBLY

DRAWING NUMBER: TC25 ASSEMBLY

WEIGHT: - **CUBIC MEASURE:** -

Oz Ring Pty Ltd
 Trading as:
Play Hard Sports Equipment
 ABN 79 066 094 559
 24 Ern Harley Drive
 Burleigh Heads Qld 4220
 Phone: (07) 5593 4494
 Fax: (07) 5593 4338
 Website: www.playhardsports.com.au
 Email: email@playhardsports.com.au