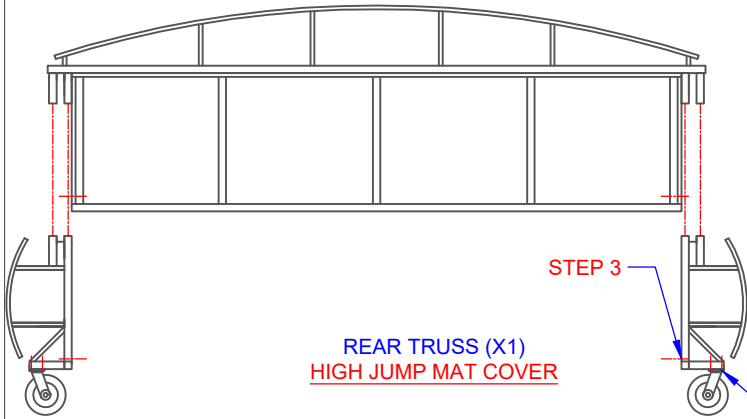
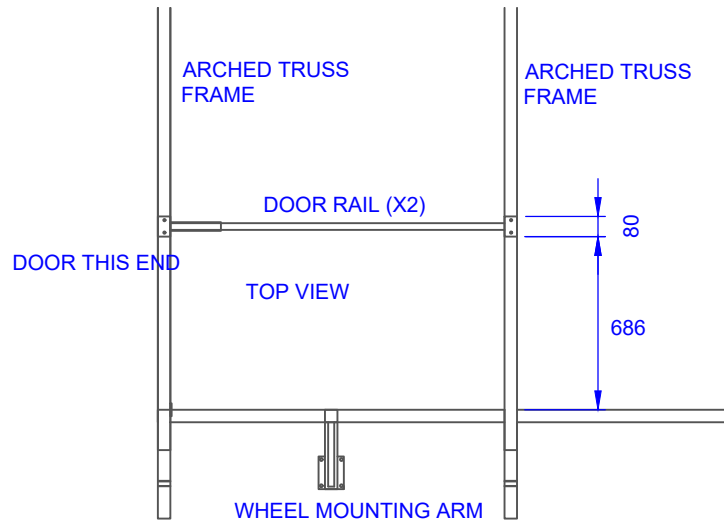


FRONT TRUSS & DOOR (X1)
HIGH JUMP MAT COVER



REAR TRUSS (X1)
HIGH JUMP MAT COVER

ASSEMBLY INSTRUCTIONS

STEP 1: Install castors using 4 x M10 nut and bolts (ea.) at the wheel mounting arm.

STEP 2: Insert front & rear trusses into Left & Right side rails

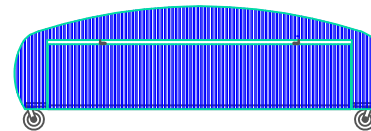
STEP 3: Fasten bottom of rear truss into side rails using 2 x M14 nut & bolts

STEP 4: Insert inside frames into side rails (x4)

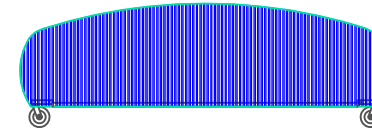
STEP 5: Insert door rails between the front and first truss, hang door and insert stop (see layout and detail)

STEP 6: Attach sheeting using 240 x 35mm metal roofing screws with washer

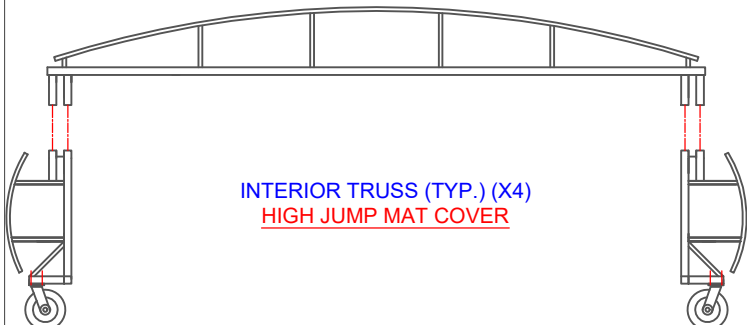
NOTE: All hardware supplied



FRONT VIEW
HIGH JUMP MAT COVER



REAR VIEW
HIGH JUMP MAT COVER



INTERIOR TRUSS (TYP.) (X4)
HIGH JUMP MAT COVER

COLORBOND CORRUGATED
SHEETING OCEAN BLUE
9 X 7050 MM
2 X 4890 MM
2 X 4650 MM
(240 35MM ROOFING SCREWS)

QTY	ITEM DESCRIPTION	PART
2	SIDE RAILS (LEFT & RIGHT)	A&B
1	FRONT TRUSS & DOOR	C
1	REAR TRUSS	D
4	INSIDE TRUSS	E
2	DOOR RAILS	G
1	15 METERS SHEET EDGING	H
-	-	-
BOLT KIT		
16	M10 X 30 MM BOLT AND NYLOCK NUT	-
2	M10 X 100 MM BOLT, NYLOCK NUT	-
2	DOOR LATCHES	-
240	35MM ROOFING SCREWS	-
WHEELS		
2	THJw - CASTORS FIXED WITH 250 MM HARD RUBBER WHEEL AND ISO HOLE PATTERN Y350ZF Y SERIES FIXED FORK FRAME R250-75C-PRWB20 WHEEL	-
2	THJw - CASTORS SWIVEL WITH 250 MM HARD RUBBER WHEEL AND ISO HOLE PATTERN Y350ZP Y SERIES SWIVEL FORK FRAME R250-75C-PRWB20 WHEEL	-

TITLE: THJ30 ASSEMBLY	
DRAWING NUMBER: THJ30 ASSEMBLY	
WEIGHT: -	DATE: 30/11/2021



Oz Ring Pty Ltd
Trading as:
Play Hard Sports Equipment
ABN 79 066 094 559
24 Ern Harley Drive
Burleigh Heads Qld 4220
Phone: (07) 5593 4494
Fax: (07) 5593 4338
Website: www.playhardsports.com.au
Email: email@playhardsports.com.au