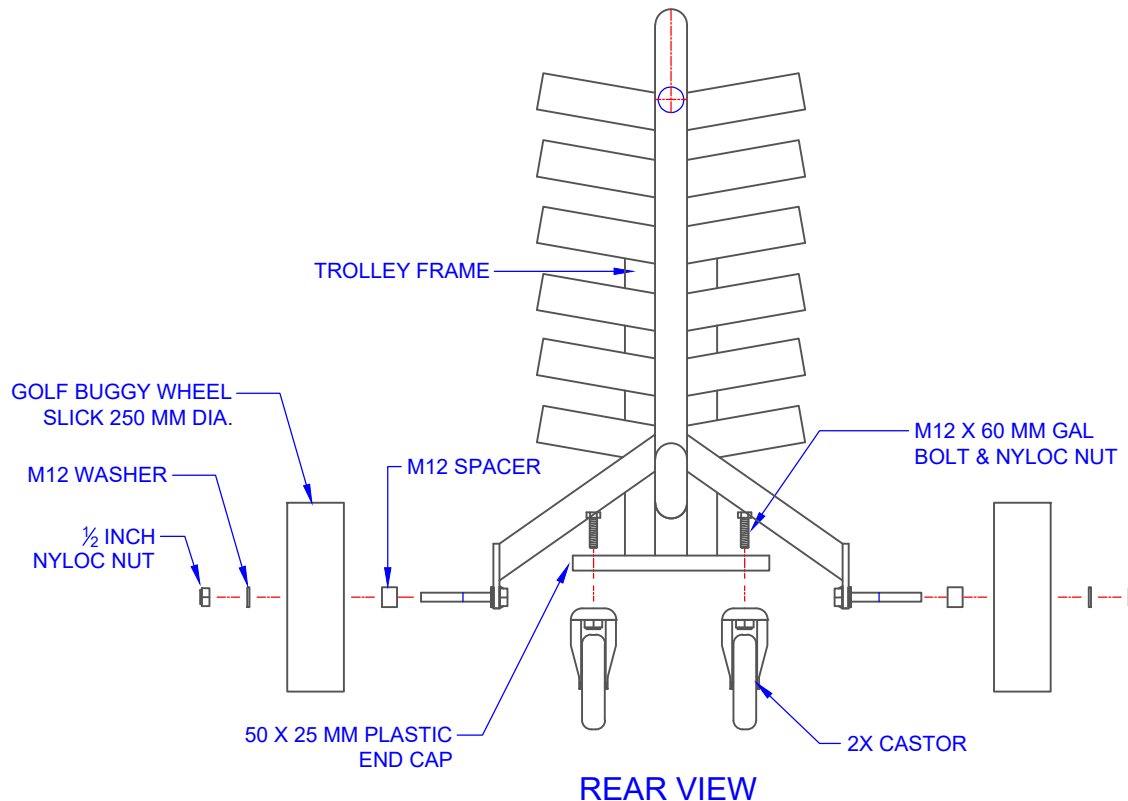


PACKING LIST (per unit)

Please check your order. If any items are missing please call immediately.

QTY	ITEM DESCRIPTION	PART	PACKED
1	TROLLEY FRAME	A	
2	BUGGY WHEEL (250 MM DIA)	B	
2	CASTOR WHEEL (150 MM DIA)	C	
-	-	-	
-	-	-	
-	-	-	
BOLT KIT			
2	½ INCH NYLOC NUT		
2	M12 WASHER		
2	M12 X 60 MM GAL BOLT & NYLOC NUT		
2	50 X 25 MM PLASTIC END CAPS		
2	M12 PLASTIC SPACERS		
-	-		
-	-		
-	-		



TITLE: TSP90 SHOT PUT TROLLEY ASSEMBLY	
DRAWING NUMBER: TSP90 ASSEMBLY	
WEIGHT: -	# OF PACKAGES -
ORDER PACKED BY: -	ORDER CHECKED BY: -



Oz Ring Pty Ltd
 Trading as:
Play Hard Sports Equipment
 ABN 79 066 094 559
 24 Ern Harley Drive
 Burleigh Heads Qld 4220
 Phone: (07) 5593 4494
 Fax: (07) 5593 4338
 Website: www.playhardsports.com.au
 Email: email@playhardsports.com.au