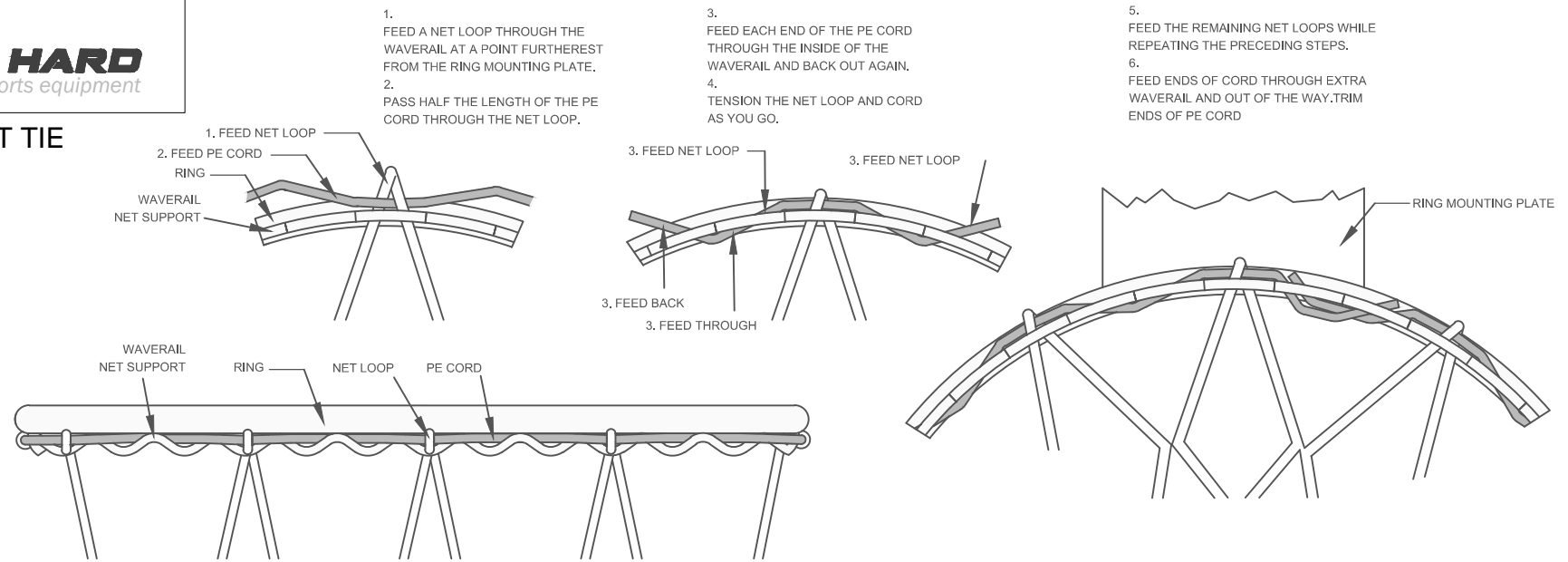




WAVERAIL NET TIE SYSTEM
(PATENTED)



WAVERAIL NET TIE SYSTEM
(PATENTED)

